

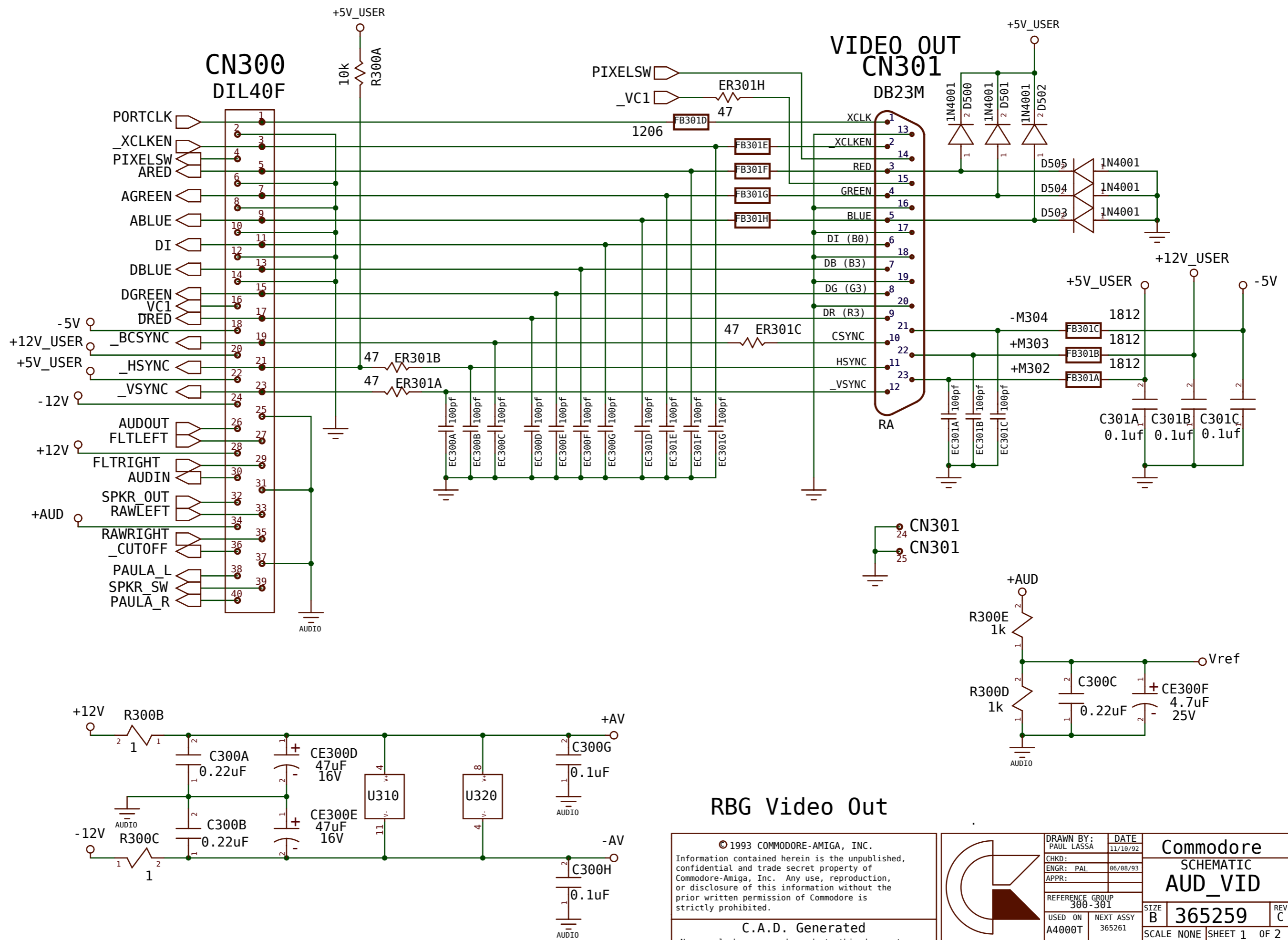
# Amiga

# A4000T\_Modules

Rev.1.37 (02.09.2012)



[www.amigawiki.org](http://www.amigawiki.org)



### RBG Video Out

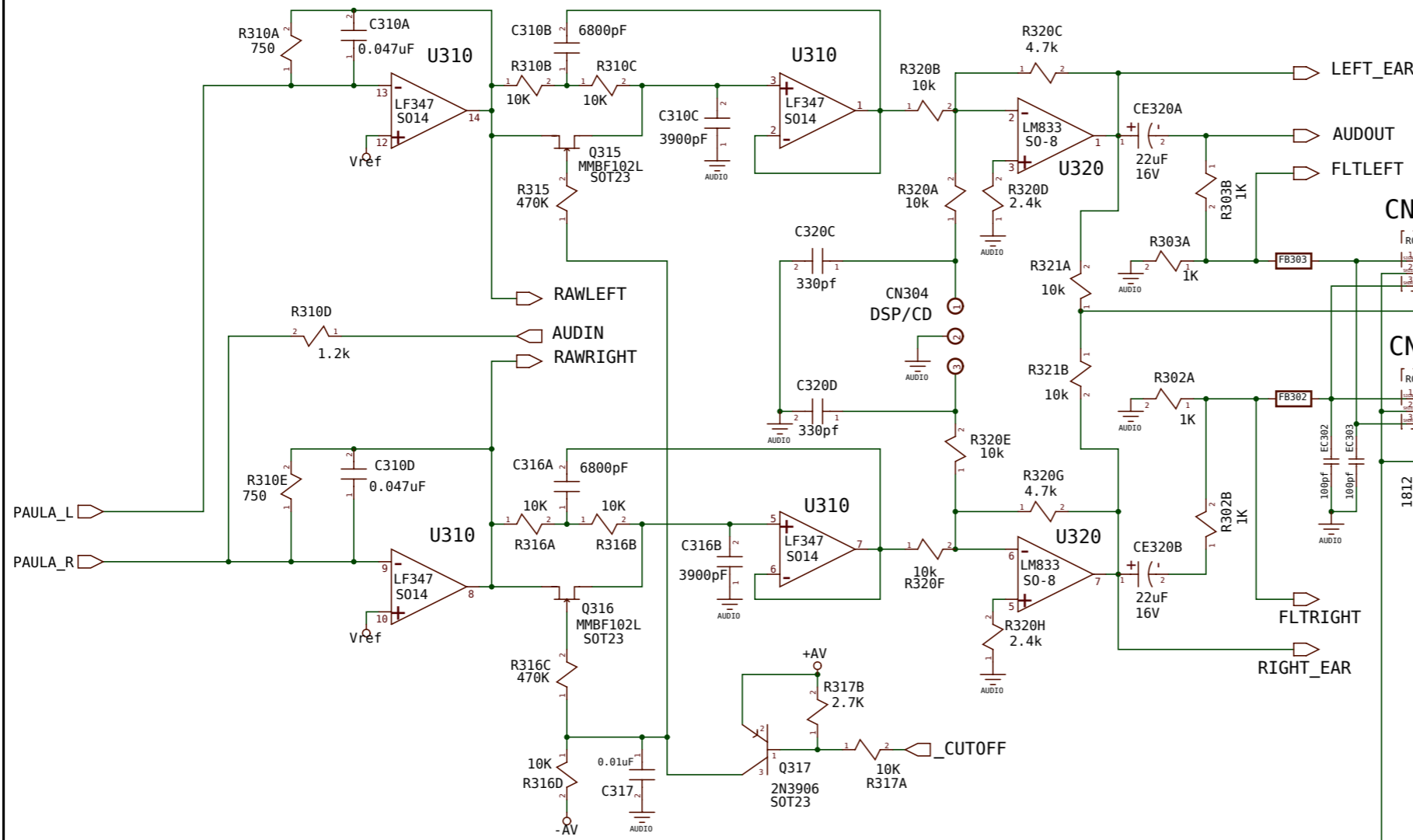
© 1993 COMMODORE-AMIGA, INC.  
 Information contained herein is the unpublished, confidential and trade secret property of Commodore-Amiga, Inc. Any use, reproduction, or disclosure of this information without the prior written permission of Commodore is strictly prohibited.  
 C.A.D. Generated  
 No manual changes may be made to this document

	DRAWN BY: PAUL LASSA	DATE: 11/10/92	<b>Commodore</b> SCHEMATIC <b>AUD_VID</b>	
	CHKD:	ENGR: PAL		APPR:
	REFERENCE GROUP 300-301			
USED ON A4000T	NEXT ASSY 365261	SIZE B	<b>365259</b>	
SCALE NONE			SHEET 1 OF 2	

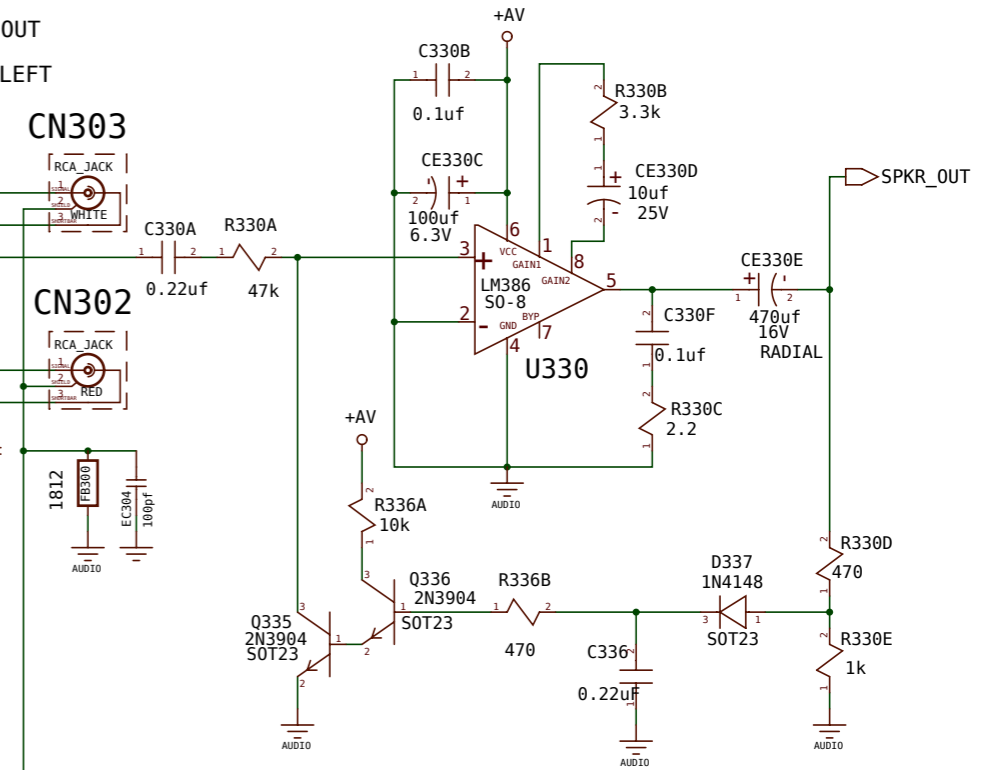
PATH: /project/aa4t/av\_m1 rgb

Rev. 1.37 (02.09.2012)

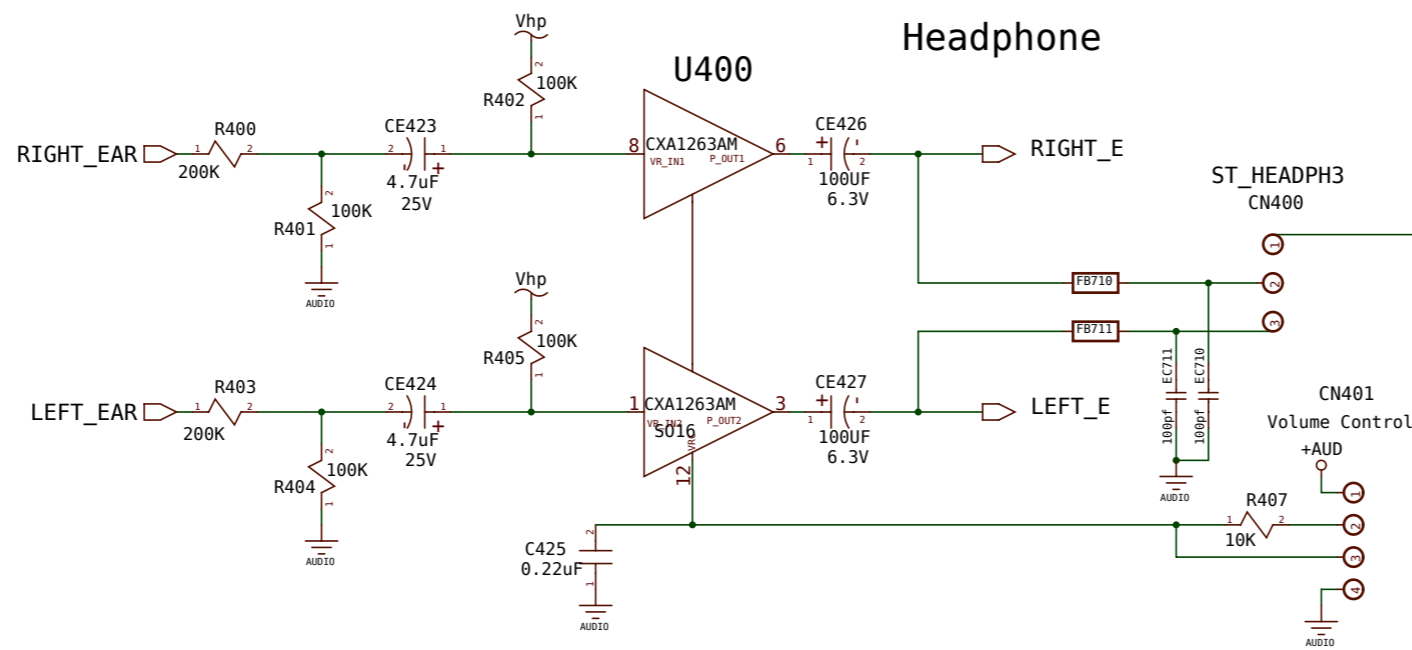
### Basic Filter



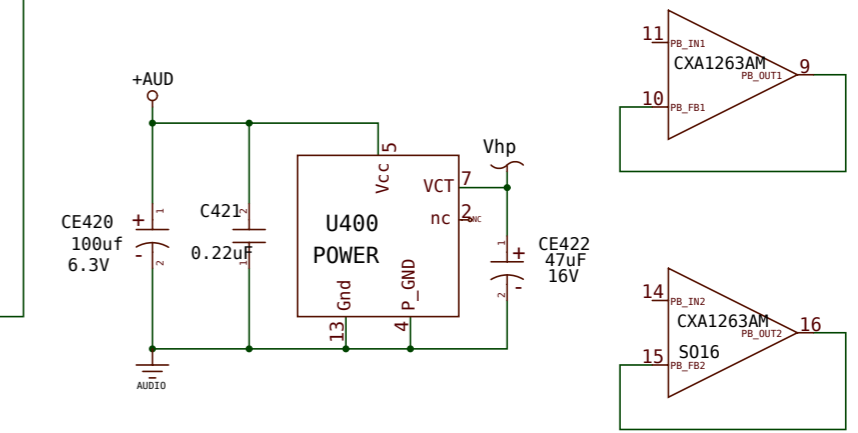
### Internal Speaker



### Headphone

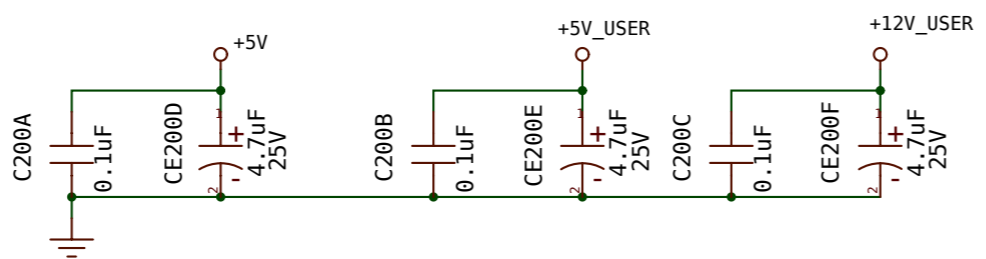
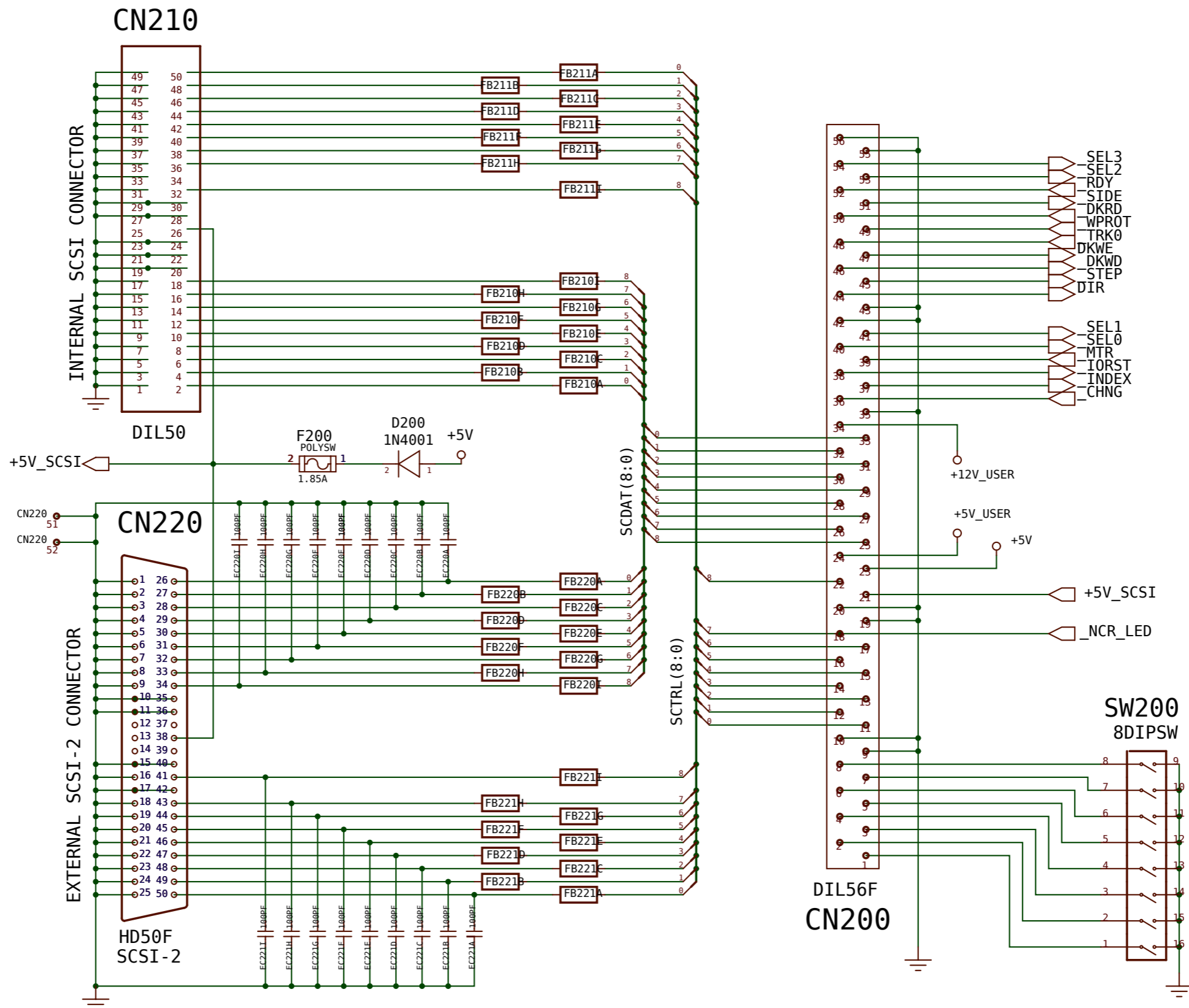


### U400



© 1993 COMMODORE-AMIGA, INC. Information contained herein is the unpublished, confidential and trade secret property of Commodore-Amiga, Inc. Any use, reproduction, or disclosure of this information without the prior written permission of Commodore is strictly prohibited.		DRAWN BY: PAUL LASSA DATE: 11/18/93 CHKD: PAL/DBH ENGR: 06/0/93 APPR: REFERENCE GROUP: 300-420 USED ON: A4000T NEXT ASSY: 365261	<b>Commodore</b> <b>SCHEMATIC</b> <b>AUD_VID</b> SIZE: B NEXT ASSY: 365259 SCALE: NONE SHEET: 2 OF 2
C.A.D. Generated No manual changes may be made to this document		PATH: /project/aa4t/av/01.audio	

Rev: 1.37 (03\_02\_2021)



200-249

SCSIports

© 1990 COMMODORE BUSINESS MACHINES  
 Information contained herein is the unpublished, confidential and trade secret property of Commodore Business Machines, Inc. Any use, reproduction or disclosure of this information without the prior written permission of Commodore is strictly prohibited.  
 C.A.D. Generated  
 No manual changes may be made to this document

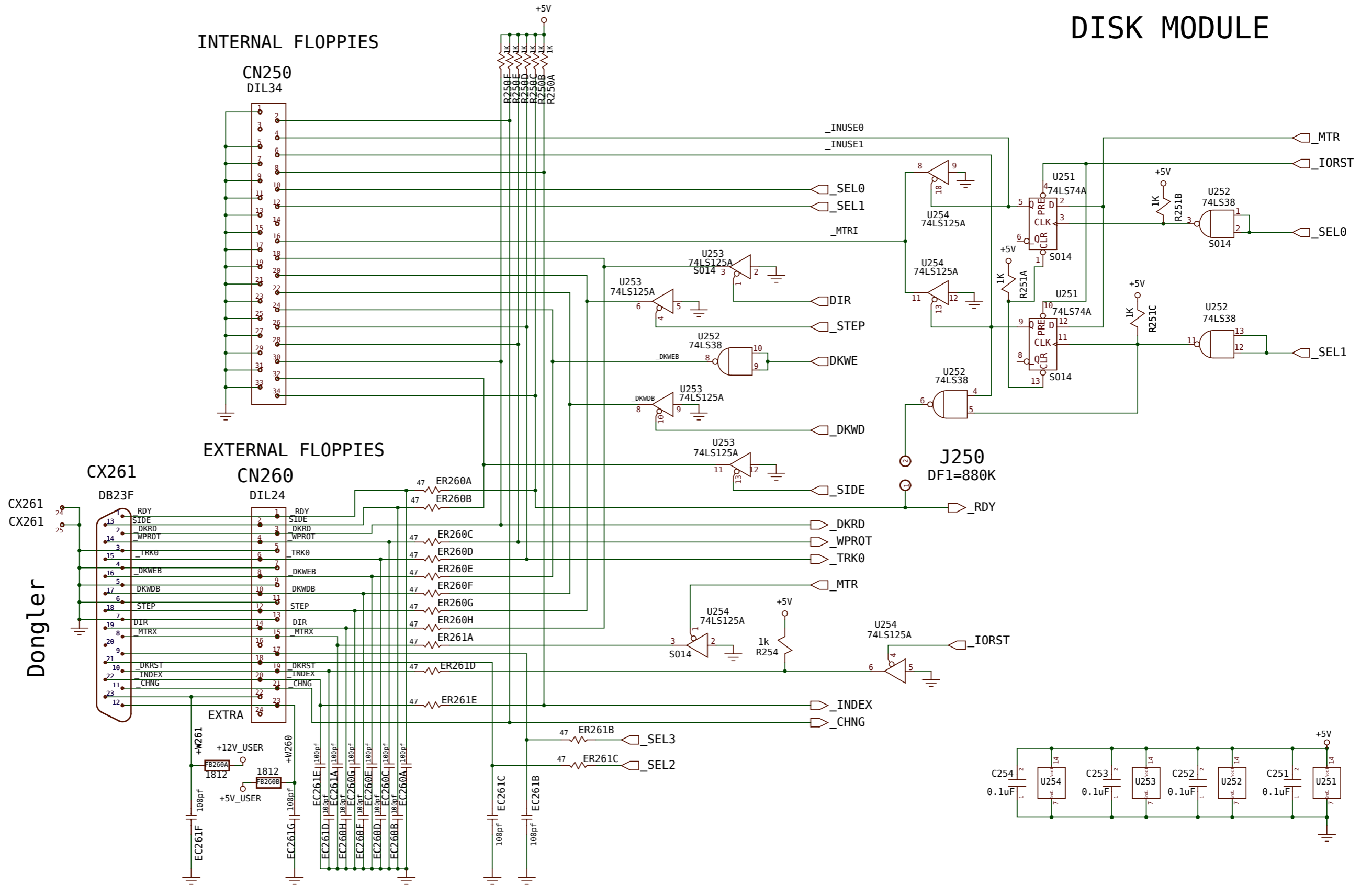
	DRAWN BY: PAUL LASSA	DATE: 6/25/92	<b>Commodore</b>	
	CHKD: ENGR: PAL	04/05/93	SCHEMATIC <b>DISK MOD</b>	
	APPR:	REFERENCE GROUP	SIZE B	NEXT ASSY 365257
USED ON A4000T	SCALE NONE	SHEET 1 OF 2		

PATH: /project/aa4t/disk m7 scsiports

Rev. 1.37 (02.08.2012)

INTERNAL FLOPPIES

DISK MODULE



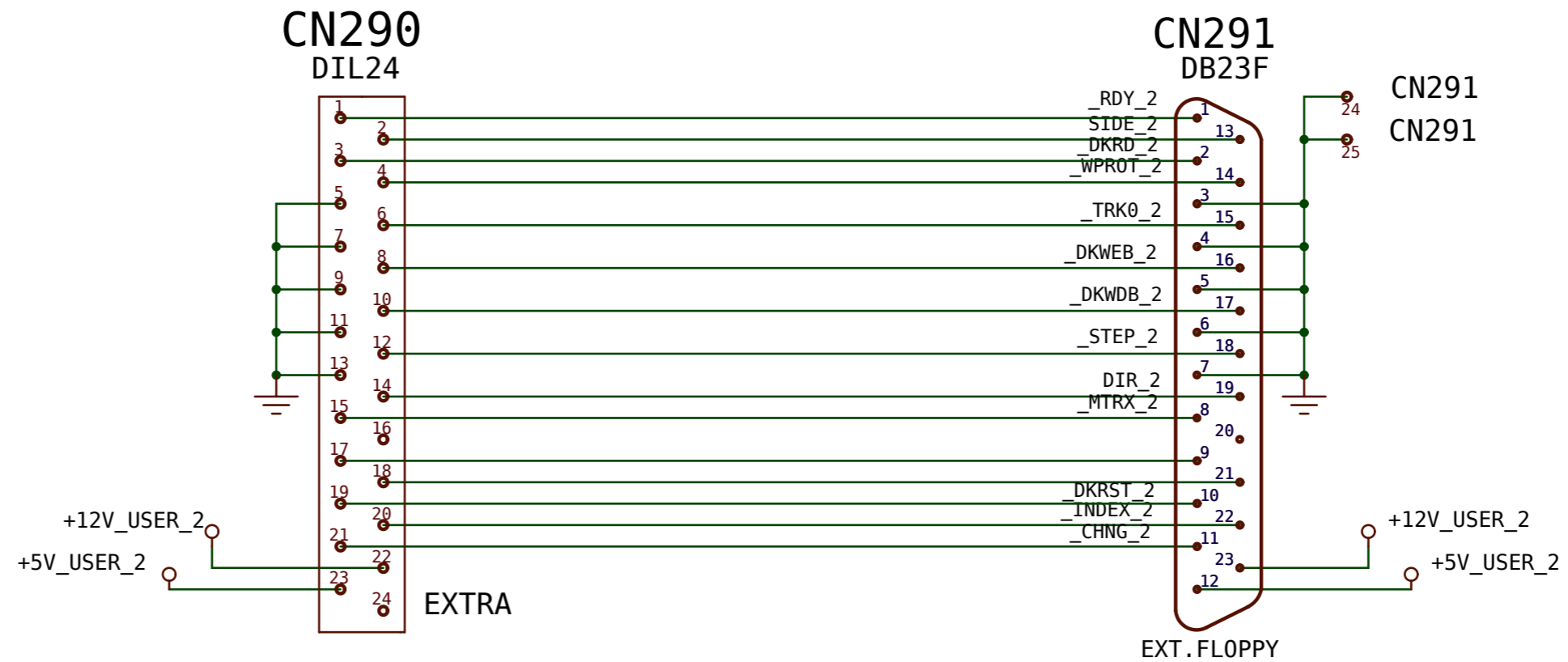
250-289

Floppy

© 1990 COMMODORE BUSINESS MACHINES Information contained herein is the unpublished, confidential and trade secret property of Commodore Business Machines, Inc. Any use, reproduction or disclosure of this information without the prior written permission of Commodore is strictly prohibited.		DRAWN BY: PAUL LASSA ENGR: PAL APPR: REFERENCE GROUP: USED ON: A4080T NEXT ASSY: 365257	DATE: 11/18/92 04/05/93 SIZE: B SCALE: NONE SHEET: 2 OF 2
C.A.D. Generated No manual changes may be made to this document		<b>Commodore</b> <b>SCHEMATIC</b> <b>DISK_MOD</b> 365255 REV A	

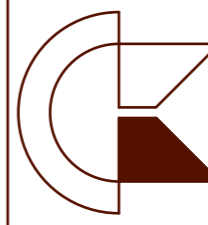
# DISK MODULE

`Flidget`



290-299

EXTfloppy widget

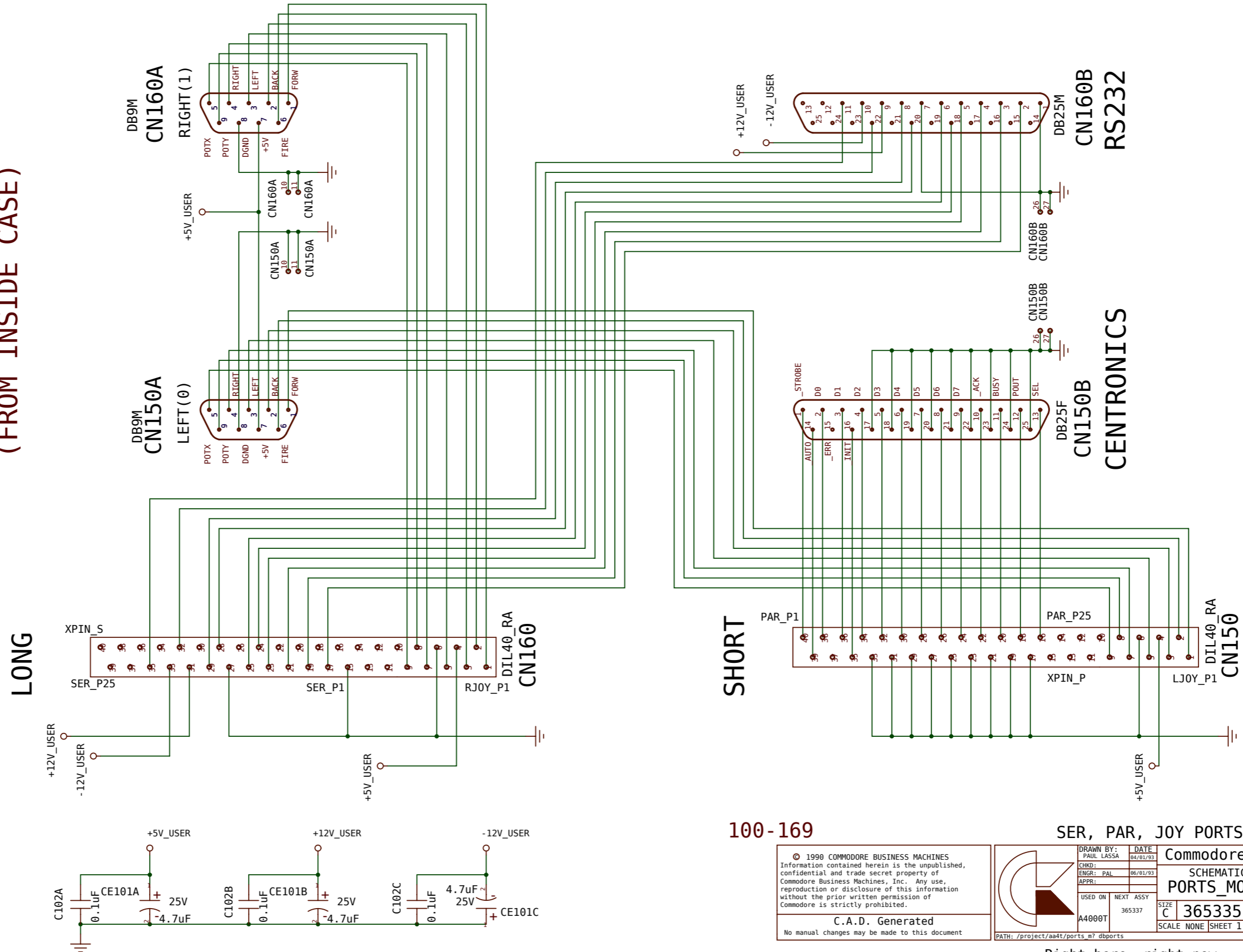
<p>© 1990 COMMODORE BUSINESS MACHINES Information contained herein is the unpublished, confidential and trade secret property of Commodore Business Machines, Inc. Any use, reproduction or disclosure of this information without the prior written permission of Commodore is strictly prohibited.</p>		DRAWN BY: PAUL LASSA ENGR: PAL APPR:	DATE: 6/25/92 04/05/93	Commodore SCHEMATIC DISK MOD			
		REFERENCE GROUP				SIZE: C	REV: 0
		USED ON: A4000T NEXT ASSY: 365257		SIZE: 365255		SCALE: NONE SHEET 3 OF 3	
		C.A.D. Generated No manual changes may be made to this document		PATH: /project/aa4t/disk_m? flidget			

They say that time is a healer...

Rev.1.37 (02.09.2012)

# PORTS MODULE

SOLDER (BACK OF BOARD) VIEW  
(FROM INSIDE CASE)



100-169

SER, PAR, JOY PORTS

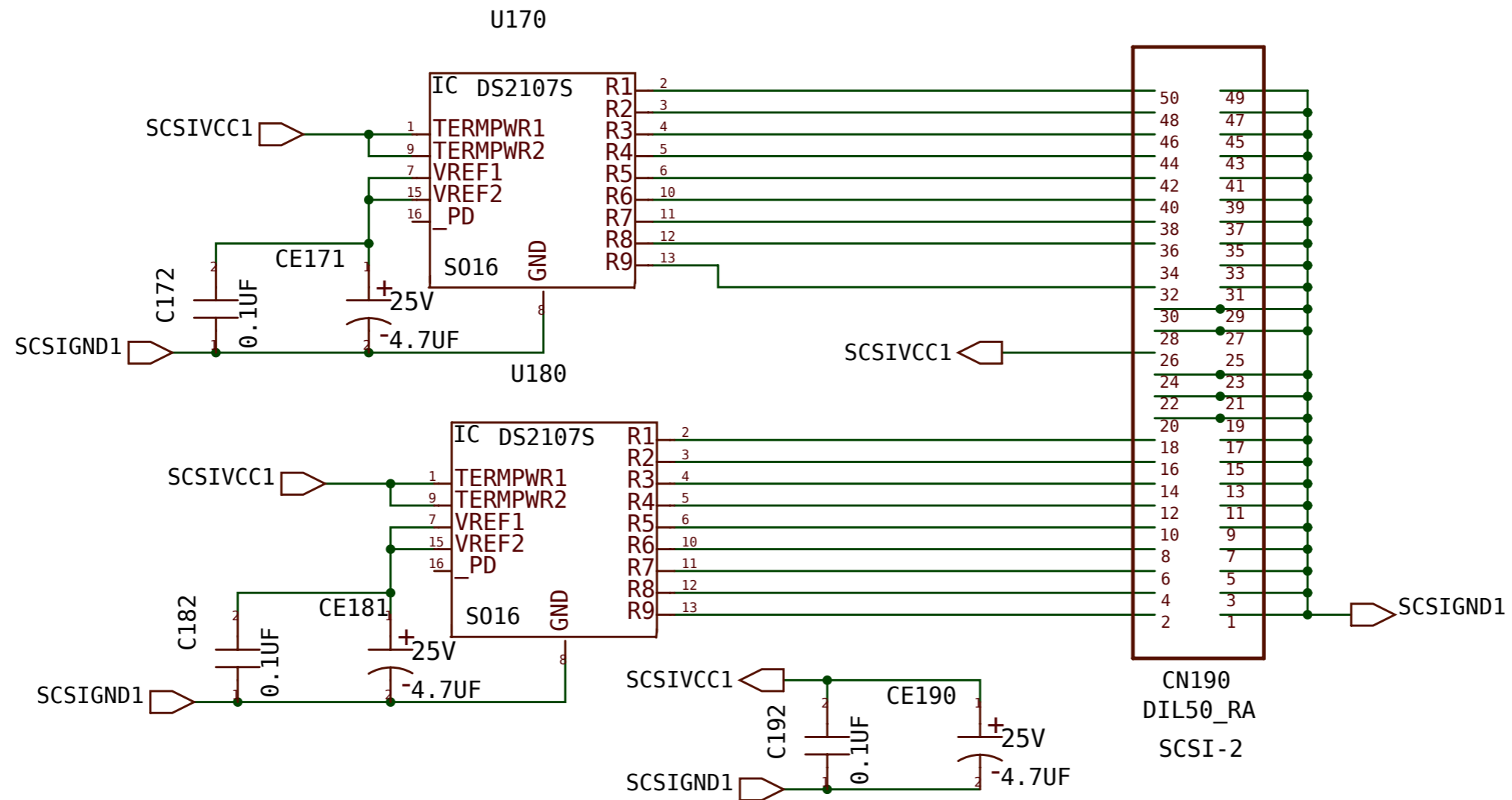
© 1990 COMMODORE BUSINESS MACHINES  
Information contained herein is the unpublished, confidential and trade secret property of Commodore Business Machines, Inc. Any use, reproduction or disclosure of this information without the prior written permission of Commodore is strictly prohibited.

C.A.D. Generated  
No manual changes may be made to this document

	DRAWN BY:	DATE	Commodore	
	PAUL LASSA	04/01/93	SCHEMATIC	
	ENGR: PAL	06/01/93	PORTS_MOD	
APPR:		USED ON	NEXT ASSY	SCALE NONE SHEET 1 OF 2
A4000T	365337			SIZE C 365335 REV 1

PATH: /project/aa4t/ports\_m7\_dbports

Right here, right now...

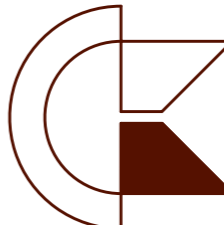


## 170-199

## SCSI TERMINATION

© 1990 COMMODORE BUSINESS MACHINES  
 Information contained herein is the unpublished, confidential and trade secret property of Commodore Business Machines, Inc. Any use, reproduction or disclosure of this information without the prior written permission of Commodore is strictly prohibited.

**C.A.D. Generated**  
 No manual changes may be made to this document

	DRAWN BY:	DATE	<b>Commodore</b> SCHEMATIC <b>PORTS MOD</b>	
	DAVE HAYNIE	6/25/92		
	CHKD:			
	ENGR: PAL	04/05/93		
APPR:			REFERENCE GROUP	
USED ON	NEXT ASSY	SIZE	REV	
A4000T	365337	C	365335	1
PATH: /project/aa4t/ports_m? scsiterm		SCALE NONE	SHEET 2 OF 2	

Slip-slidin' away...