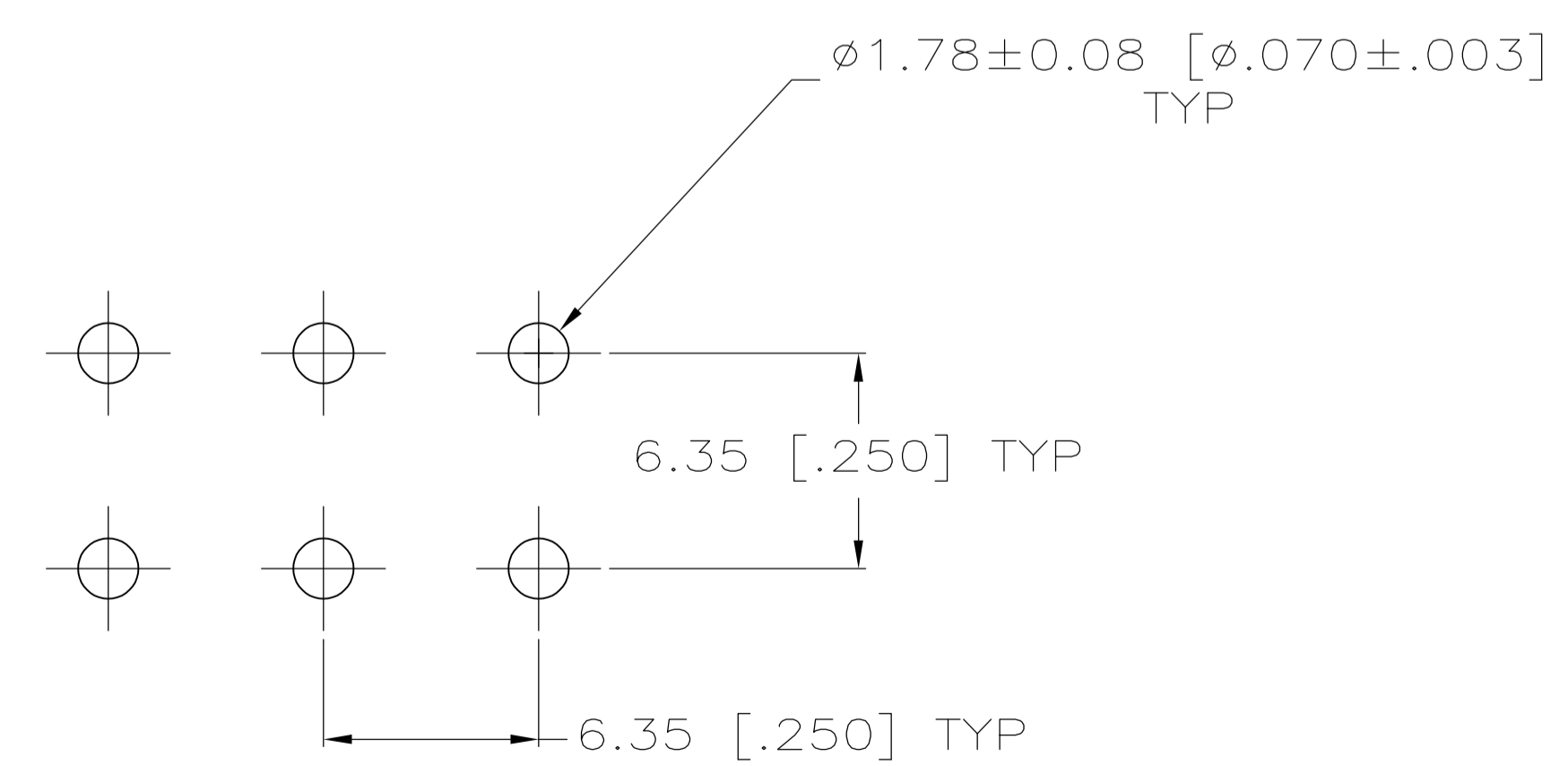
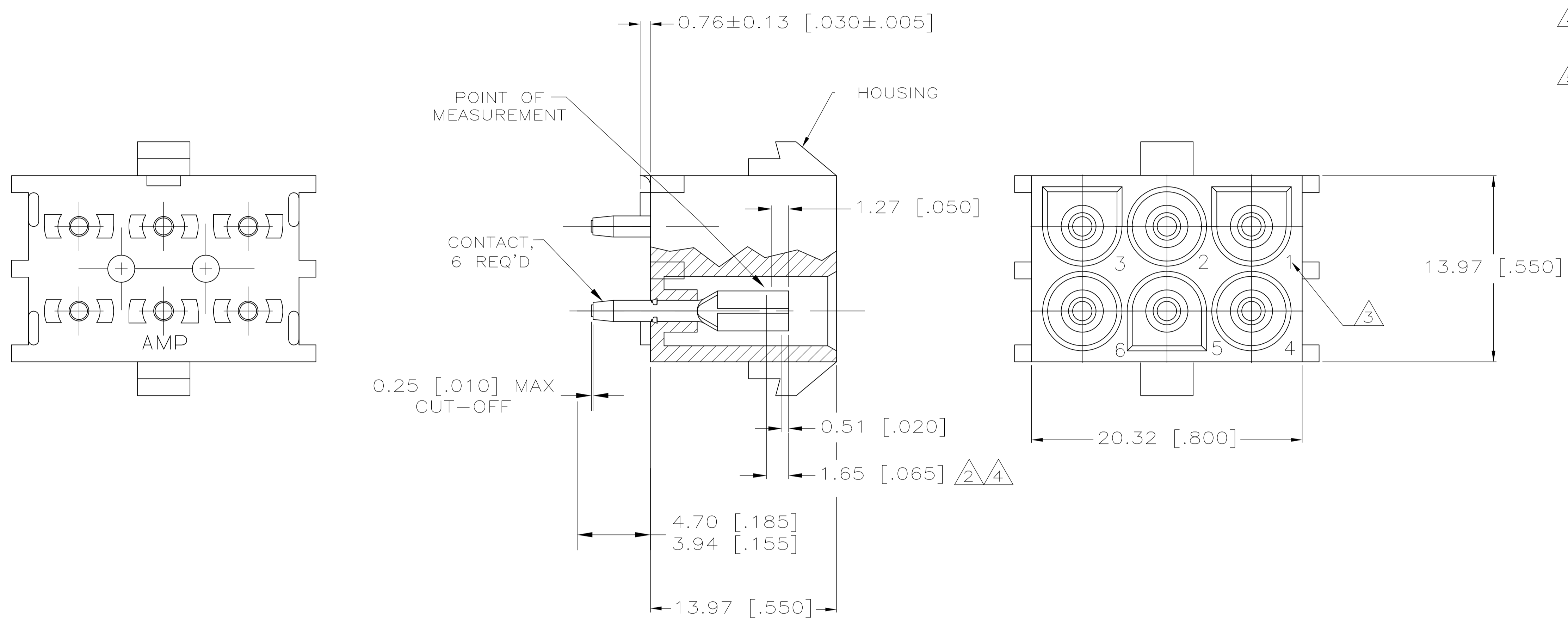


LOC		DIST		REVISIONS			
CM	00	REV	DATE	BY	CHK	APPV	
M2		REVISED PER ECR-12-011660	25JAN13	KH		TM	

- 1 PARTS MUST COMPLY WITH AMP SOLDERABILITY SPEC 109-11-3.
- 2 CONTACT IS STAMPED FROM PRE-PLATED STOCK WHICH IS PLATED OVERALL WITH 0.00127 [.000050] NICKEL, THEN STRIPED WITH 0.00076 [.000030] GOLD IN CONTACT AREA INDICATED AND TIN-LEAD ON SOLDER TAIL END.
- 3 CIRCUIT IDENTIFICATION CHARACTERS ARE ADJACENT TO THE INDICATED CAVITIES, BUT LOCATION AND ORIENTATION MAY DIFFER FROM PRINT.
- 4 CONTACT IS PLATED OVERALL WITH 0.00127 [.000050] NICKEL, THEN 0.00076 [.000030] GOLD OVER CONTACT LENGTH INDICATED AND MATTE TIN ON SOLDER TAIL END.
- 5 SUPERSEDED BY 350827-4



RECOMMENDED LAYOUT FOR 1.58 [.062] THICK PC BOARD

PH BRZ GOLD 4	NYLON,UL 94V-0	350827-4
PH BRZ GOLD 2	NYLON,UL 94V-0	350827-2
PH BRZ TIN	NYLON,UL 94V-0	350827-1
CONTACT	HOUSING	PART NO

THIS DRAWING IS A CONTROLLED DOCUMENT.

DIMENSIONS: mm [INCHES]	TOLERANCES UNLESS OTHERWISE SPECIFIED:	DWG: K. WHITAKER 11OCT2005 CHK: S. RIDGILL 11OCT2005 APPV: S. RIDGILL 11OCT2005 PRODUCT SPEC	<b>STE</b> TE Connectivity NAME: 6 CIRCUIT UNIVERSAL MATE-N-LOK (TM) P.C. BOARD SOCKET HEADER ASSEMBLY APPLICATION SPEC: -- SIZE: A1 CAGE CODE: 00779 DRAWING NO: 350827 RESTRICTED TO: --
MATERIAL: SEE TABLE	FINISH: SEE TABLE	WEIGHT: --	SCALE: 5:1 SHEET 1 OF 1 REV: M2

CUSTOMER DRAWING