

OUTLINE

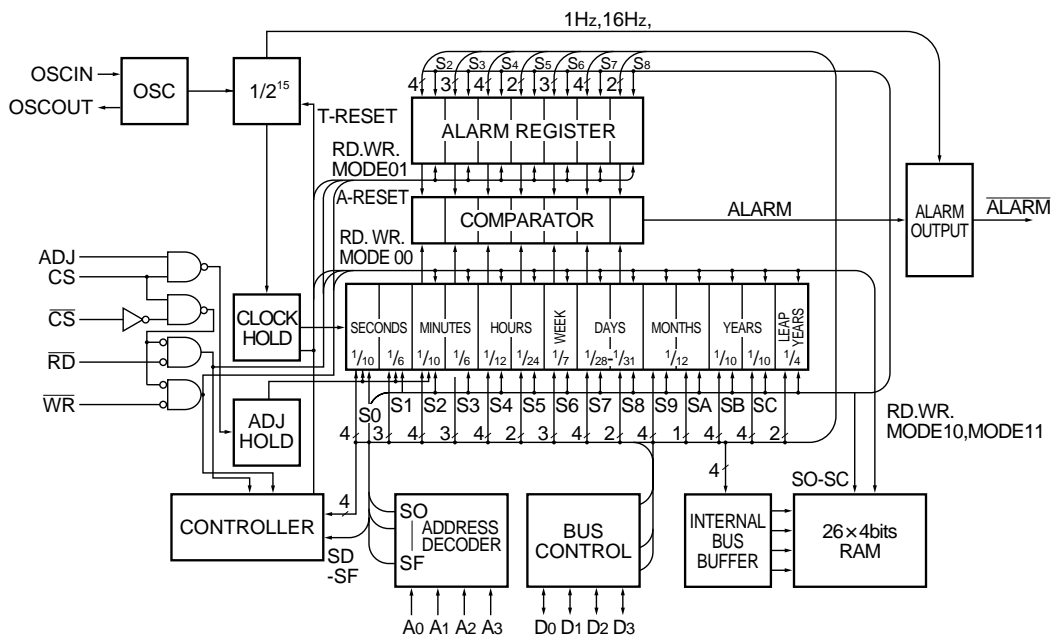
The RP/RF5C01A are real-time clocks for microcomputers that can be connected directly to buses of microcomputers with such CPUs as the 8085A or Z80 and allow setting or reading of the clock with the same procedures as for the Read/Write operation for memory.

These products have various features such as clock and calendar counters, alarm functions, and 26 × 4bits RAM which can be backed up by batteries. They can then be used as non-volatile RAM.

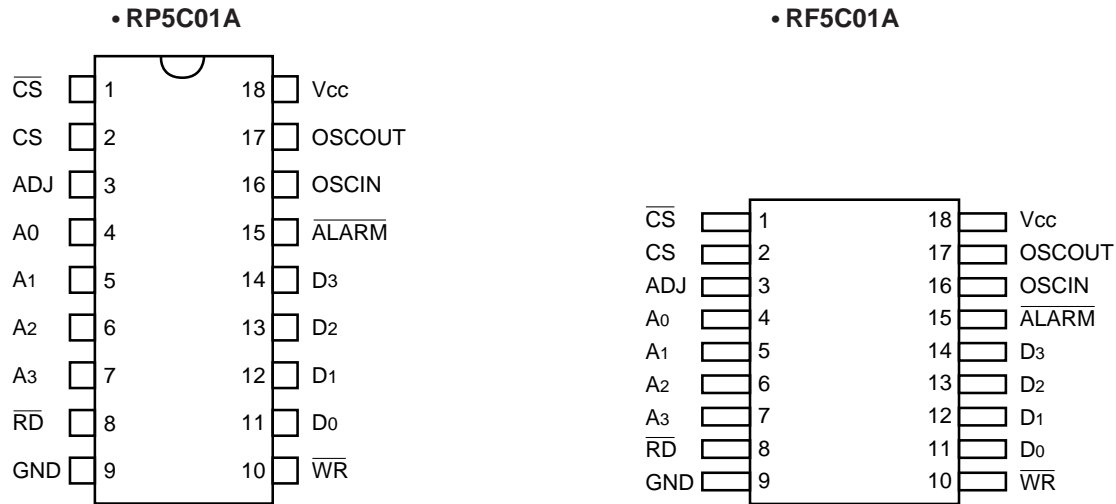
FEATURES

- Connected directly to CPU
- 4bit bidirectional data bus : D0 - D3
- 4bit address input : A0 - A3
- Built-in clock counter (hour, minute, second) and calendar counter (leap year, year, month, day, day-of-the-week)
- Supports both 12-hour AM/PM clock and 24-hour clock
- All clock data expressed in BCD codes
- ±30 second adjustment function
- Backed up by batteries (minimum:2.2V)
- Built-in 26 × 4bits RAM
- Outputs alarm signals or timing pulse of 16Hz or 1Hz.
- Packages : 18pin DIP (RP5C01A) ; 18pin SOP (RF5C01A)

BLOCK DIAGRAM



PIN CONFIGURATIONS



PIN DESCRIPTION

Pin No.	Symbol	Function
1,2	\overline{CS} , CS	The \overline{CS} and CS are used to interface with external devices. Enabled when CS = "H" and \overline{CS} ="L". The CS is connected to the power down detector in the system power supply while the \overline{CS} is connected to the microcomputer.
3	ADJ	The ADJ can easily correct seconds without using the CPU. When this pin is set to "H" the second digits ranging from 00 to 29 are set to 0, the second digits ranging from 30 to 59 are set to 0 and minute digits are incremented by 1.
4,5,6,7	A0 to A3	Input pin for the address signal. These pins are connected to the CPU address bus.
8	\overline{RD}	Input pin for I/O control. The \overline{RD} is set to "L" when data is transferred from the RP/RF5C01A to the CPU.
9	GND	Ground pin for the power supply of 0V.
10	\overline{WR}	Input pin for I/O control. The \overline{WR} is set to "L" when data is transferred from the CPU to the RP/RF5C01A.
11,12,13,14	D0 to D3	Bidirectional data bus. Connected to the data bus of the CPU.
15	\overline{ALARM}	The \overline{ALARM} pin outputs alarm signals and 16Hz and 1Hz clock pulses. This pin is an open drain output.
16,17	OSCIN, OSCOUT	The OSCIN and OSCOUT are connected to the crystal oscillator of 32.768kHz
18	Vcc	Input pin for the power supply of +5V.

ABSOLUTE MAXIMUM RATINGS

Symbol	Item	Conditions	Ratings	Unit
V _{CC}	Supply Voltage	Referenced at GND pin	-0.3 to 7.0	V
V _I	Input Voltage		-0.3 to V _{CC} +0.3	V
V _O	Output Voltage		-0.3 to V _{CC} +0.3	V
P _d	Maximum Power Dissipation	T _a =25°C	700	mW
T _{opr}	Operating Temperature		0 to 70	°C
T _{stg}	Storage Temperature		-40 to 125	°C

ABSOLUTE MAXIMUM RATINGS

Absolute Maximum ratings are threshold limit values that must not be exceeded even for an instant under any conditions. Moreover, such values for any two items must not be reached simultaneously. Operation above these absolute maximum ratings may cause degradation or permanent damage to the device. These are stress ratings only and do not necessarily imply functional operation below these limits.

RECOMMENDED OPERATING CONDITIONS

(Unless otherwise specified, T_a=0 to 70°C)

Symbol	Item	Conditions	MIN.	TYP.	MAX.	Unit
V _{CC}	Supply Voltage		4.75	5	5.25	V
V _{DH}	Data Preservation Voltage		2.2		5.25	V
f _{XT}	Crystal Oscillation Frequency			32.768		kHz

DC ELECTRICAL CHARACTERISTICS

(Unless otherwise specified, T_a=0 to 70°C, V_{CC}=5V±10%)

Symbol	Item	Conditions	MIN.	TYP.	MAX.	Unit
V _{IH}	"H" Input Voltage (excluding OSCIN)		2.0		V _{CC}	V
	"H" Input Voltage (OSCIN)		4.0		V _{CC}	V
V _{IL}	"L" Input Voltage (excluding OSCIN)		-0.3		0.8	V
	"L" Input Voltage (OSCIN)		-0.3		0.5	V
V _{OH}	"H" Output Voltage	I _{OH} =-400μA	2.4			V
V _{OL}	"L" Output Voltage	I _{OL} =2mA			0.4	V
I _I	Input Current	V _I =0 to 5.25V			±10	μA
I _{OZ}	Output Off-state Leakage Current				±10	μA
I _{CC1}	Supply Current for backup	f _{XT} =32.768kHz, V _{CC} =2.2V			15	μA
I _{CC2}	Operating Supply Current	f _{XT} =32.768kHz, V _{CC} =5.0V*2			250	μA

*1) Plus (without sign) direction of current is assumed to be the direction flowing into IC.

*2) When connected to CPU (Read/Write cycle 10μs)

AC ELECTRICAL CHARACTERISTICS (Vcc=5V±5%)

(Ta=0 to 70°C)

Symbol	Item	Conditions	MIN.	TYP.	MAX.	Unit
tAC	Address- $\overline{RD}/\overline{WR}$ Delay Time		170			ns
tCC	$\overline{RD}/\overline{WR}$ Pulse Width		400		10000	ns
tCA	Address Effective Time after rising of $\overline{RD}/\overline{WR}$		10			ns
tRD	Data Delay Time after falling of \overline{RD}				340	ns
tRDH	Data Hold Time after rising of \overline{RD}		0			ns
tWDL	Data Delay Time after falling of \overline{WR}				40	ns
tWD	Data Hold Time after rising of \overline{WR}		20			ns

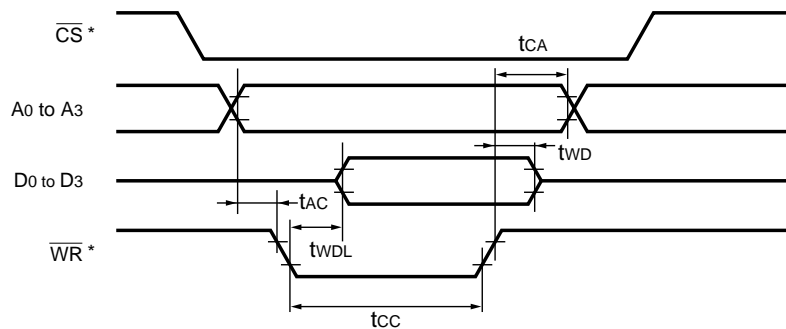
AC ELECTRICAL CHARACTERISTICS (Vcc=5V±10%)

(Ta=0 to 70°C)

Symbol	Item	Conditions	MIN.	TYP.	MAX.	Unit
tAC	Address- $\overline{RD}/\overline{WR}$ Delay Time		170			ns
tCC	$\overline{RD}/\overline{WR}$ Pulse Width		450		10000	ns
tCA	Address Effective Time after rising of $\overline{RD}/\overline{WR}$		10			ns
tRD	Data Delay Time after falling of \overline{RD}				400	ns
tRDH	Data Hold Time after rising of \overline{RD}		0			ns
tWDL	Data Delay Time after falling of \overline{WR}				40	ns
tWD	Data Hold Time after rising of \overline{WR}		20			ns

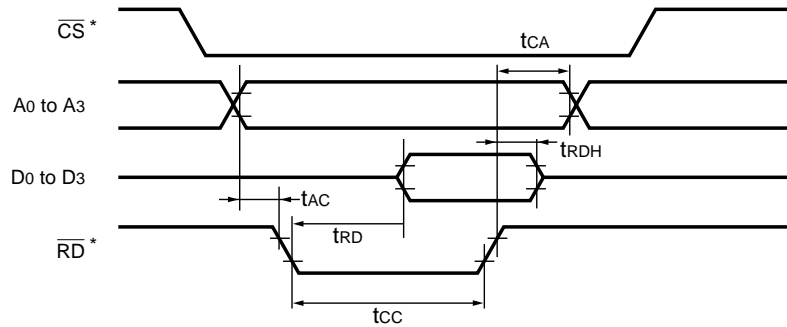
TIMING CHART

• Write Cycle (CS="H")



*) The RP/RF5C01A accept \overline{WR} signals only when $\overline{CS}="L"$ and CS="H". Although \overline{CS} timing is not specified for the RP/RF5C01A, substitute \overline{WR} signals shown above with $\overline{CS} \cdot \overline{WR}$ signals to be applicable to the RP/RF5C01A configuration.

• Read Cycle (CS="H")



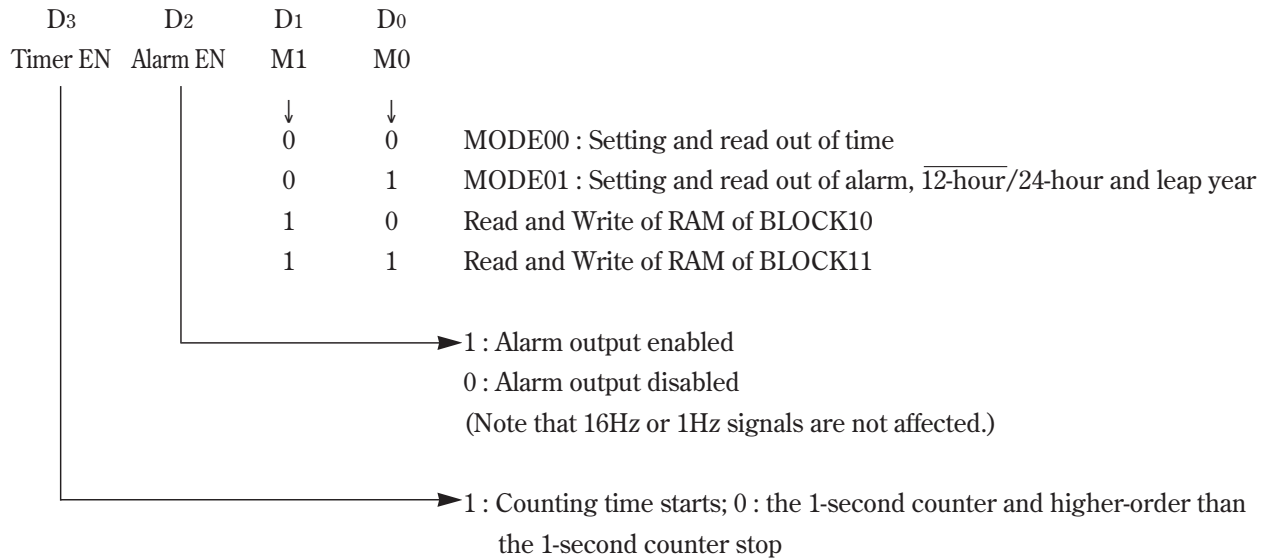
*) The RP/RF5C01A accept \overline{RD} signals only when $\overline{CS}="L"$ and $CS="H"$ as in the case of \overline{WR} signals. Thus, substitute \overline{RD} signals shown above, as in the case of \overline{WR} signals, with $\overline{CS} \cdot \overline{RD}$ signals to be applicable to the RP/RF5C01A configuration.

ADDRESS MAPPING

MODE	MODE 00					MODE 01					10	11
A3 to A0	Description	D3	D2	D1	D0	Description	D3	D2	D1	D0	Description	Description
0	1-second counter						x	x	x	x	RAM 4bits×13 BLOCK 10	RAM 4bits×13 BLOCK 11
1	10-second counter	x					x	x	x	x		
2	1-minute counter					1-minute alarm register						
3	10-minute counter	x				10-minute alarm register	x					
4	1-hour counter					1-hour alarm register						
5	10-hour counter	x	x			10-hour alarm register	x	x				
6	Day-of-the-week counter	x				Day-of-the-week alarm register	x					
7	1-day counter					1-day alarm register						
8	10-day counter	x	x			10-day alarm register	x	x				
9	1-month counter						x	x	x	x		
A	10-month counter	x	x	x		12/24 select register	x	x	x			
B	1-year counter					Leap year counter	x	x				
C	10-year counter						x	x	x	x		
D	MODE register	Timer EN	Alarm EN	MODE register M1 M0			Timer EN	Alarm EN	MODE register M1 M0		ditto	ditto
E	TEST register	Test 3	Test 2	Test 1	Test 0		Test 3	Test 2	Test 1	Test 0	ditto	ditto
F	RESET controller, etc.	1Hz ON	16Hz ON	Timer RESET	Timer RESET		1Hz ON	16Hz ON	Timer RESET	Alarm RESET	ditto	ditto

*) "x" means "Don't care" for Write; always "0" for Read.

• **MODE register (Address Dh)**



*) When the Timer EN is set to 0, the 1-second counter and higher-order counters than the 1-second counter stop . If any carrying occurs in the lower-order counters than the 1 second counter while the Timer EN is 0, carrying will be held and avoided when the Timer EN changes from 0 to 1. Thus, no apparent delay is produced when the duration of the Timer EN = 0 is less than one second.

• **$\overline{12}/24$ select register (MODE01, Address Ah)**

D0=1 sets to 24-hour system ; D0=0 sets to 12-hour system.
Set the 10-hour counter as D1=1 for p.m., D1=0 for a.m.

• **Leap year counter (MODE01, Address Bh)**

(D1, D0)=(0, 0) sets the counter for leap years. The counter value changes in order of (0, 0) (0, 1) (1, 0) (1, 1) (0, 0) repeatedly in the same timing as the year counter.

• **RESET controller/16Hz · 1Hz clock register. (Address Fh)**

D0=1 : Resets all alarm registers.
D1=1 : Resets divider stages for seconds or smaller units.
D2=0 : 16Hz clock pulse ON.
D3=0 : 1Hz clock pulse ON.

*) Addresses 0h to Dh are applicable both for Read and Write.
*) Addresses Eh to Fh are applicable only for Write.

OSCILLATOR CIRCUIT

- **When the oscillator circuit is to be configured using crystal oscillators:**

The oscillator circuit is configured as shown in Figure 1.

External components include: a resistor, a capacitor and a trimmer capacitor for fine tuning of the frequency.

Adjust the trimmer capacitor (16Hz or 1Hz signal output from the $\overline{\text{ALARM}}$ pin is used) to correct oscillation frequency.

Correction with 16Hz signal:

Set addresses (A₃, A₂, A₁, A₀)=(1, 1, 1, 1).

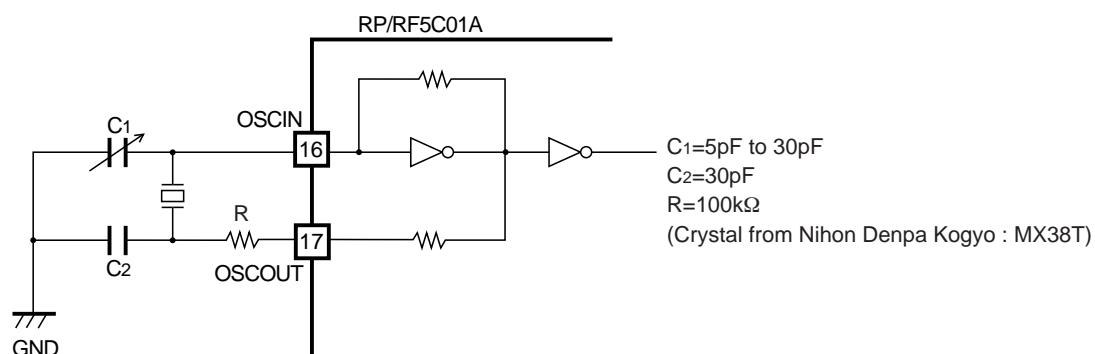
Set Data (D₃, D₂, D₁, D₀)=(1, 0, 0, ×).

Correction with 1Hz signal:

Set addresses (A₃, A₂, A₁, A₀)=(1, 1, 1, 1).

Set Data (D₃, D₂, D₁, D₀)=(0, 1, 0, ×).

In each case, set addresses (A₃, A₂, A₁, A₀)=(1, 1, 0, 1), and set data (D₃, D₂, D₁, D₀)=(×, 0, ×, ×) to disable $\overline{\text{ALARM}}$ output before setting 16Hz or 1Hz signal.



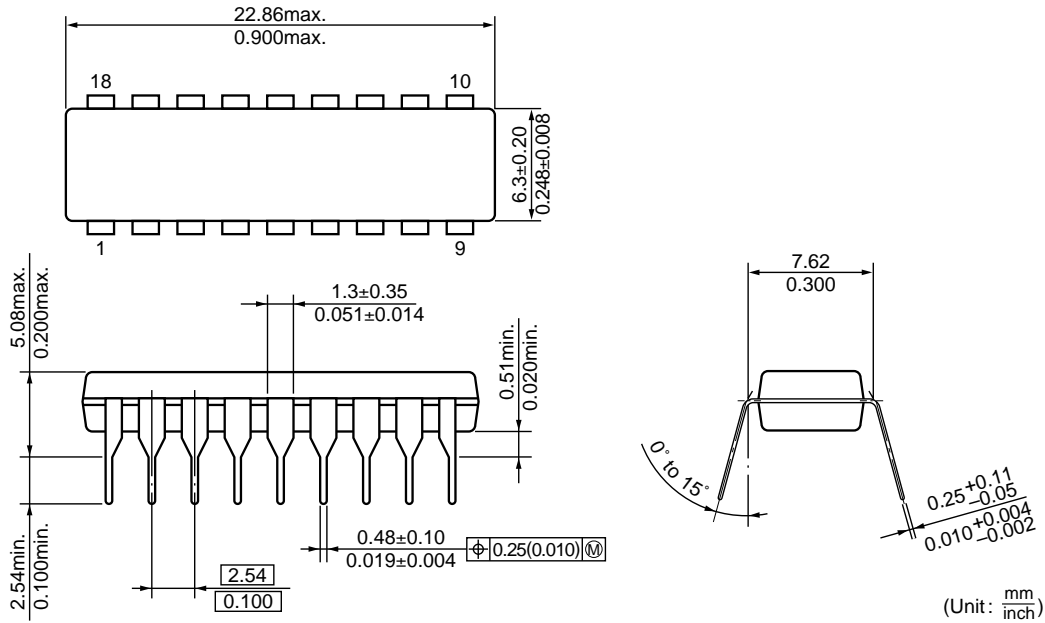
*) Values of C₁, C₂ and R are not absolute conditions but are indicated for reference only. Regard those C₁, C₂ and R values shown above as our optimum values in our experiments which employed MX38T.

Difference between the RP5C01 and the RP/RF5C01A

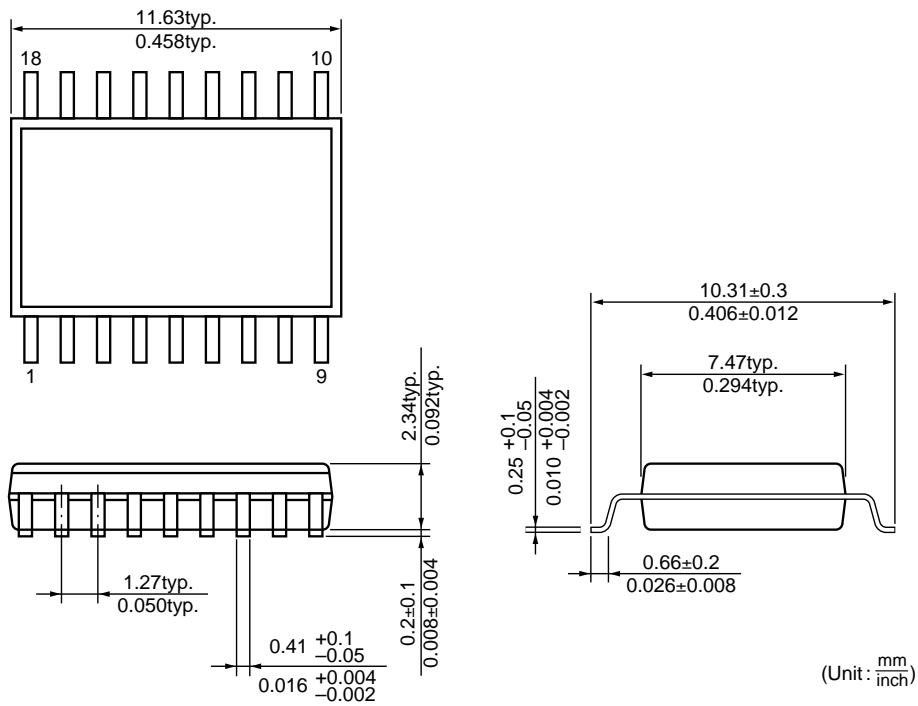
Since the RP5C01 and the RP/RF5C01A have different oscillator circuit characteristics, approximately 12 to 19ppm (31 to 41 seconds/month) of difference will result if the RP/RF5C01A are used with an external value that has been set to the RP5C01 oscillating characteristics. Therefore, determine a new external value for the RP/RF5C01A.

PACKAGE DIMENSIONS

• RP5C01A (18pin DIP)



• RP5C01A (18pin SOP)



NOTICE

1. The products and the product specifications described in this document are subject to change or discontinuation of production without notice for reasons such as improvement. Therefore, before deciding to use the products, please refer to Ricoh sales representatives for the latest information thereon.
2. This document may not be copied or otherwise reproduced in whole or in part without prior written consent of Ricoh.
3. Please be sure to take any necessary formalities under relevant laws or regulations before exporting or otherwise taking out of your country the products or the technical information described herein.
4. The technical information described in this document shows typical characteristics of and example application circuits for the products. The release of such information is not to be construed as a warranty of or a grant of license under Ricoh's or any third party's intellectual property rights or any other rights.
5. The products listed in this document are intended and designed for use as general electronic components in standard applications (office equipment, computer equipment, measuring instruments, consumer electronic products, amusement equipment etc.). Those customers intending to use a product in an application requiring extreme quality and reliability, for example, in a highly specific application where the failure or misoperation of the product could result in human injury or death (aircraft, spacevehicle, nuclear reactor control system, traffic control system, automotive and transportation equipment, combustion equipment, safety devices, life support system etc.) should first contact us.
6. We are making our continuous effort to improve the quality and reliability of our products, but semiconductor products are likely to fail with certain probability. In order prevent any injury to persons or damages to property resulting from such failure, customers should be careful enough to incorporate safety measures in their design, such as redundancy feature, fire-containment feature and fail-safe feature. We do not assume any liability or responsibility for any loss or damage arising from misuse or inappropriate use of the products.
7. Anti-radiation design is not implemented in the products described in this document.
8. Please contact Ricoh sales representatives should you have any questions or comments concerning the products or the technical information.

June 1995



RICOH COMPANY, LTD.
ELECTRONIC DEVICES DIVISION

HEADQUARTERS

13-1, Himemuro-cho, Ikeda City, Osaka 563-8501, JAPAN
Phone 81-727-53-1111 Fax 81-727-53-6011

YOKOHAMA OFFICE (International Sales)

3-2-3, Shin-Yokohama, Kohoku-ku, Yokohama City, Kanagawa 222-8530,
JAPAN

Phone 81-45-477-1697 Fax 81-45-477-1694 • 1695

<http://www.ricoh.co.jp/LSI/english/>

RICOH CORPORATION
ELECTRONIC DEVICES DIVISION

SAN JOSE OFFICE

3001 Orchard Parkway, San Jose, CA 95134-2088, U.S.A.
Phone 1-408-432-8800 Fax 1-408-432-8375

<http://www.ricoh-usa.com/semicond.htm>